

# Technical Data Sheet



## Catalog No. P2XLF21-5-T

Characteristics	
Phase	1
KVA	5
Primary	240X480V
Secondary	120/240v
Conductor	Aluminum
Temp. Rise	115° C
Frequency	60 HZ
Taps	+2/-4@2.5%
ESS	No
Insulation	180° C
Weathershield	N/A
Wall Bracket	Built-In
Weight (lbs)	110
Sound (dB)	40

**Notes**

All units are UL listed and are designed in accordance with applicable NEMA, ANSI and IEEE standards.

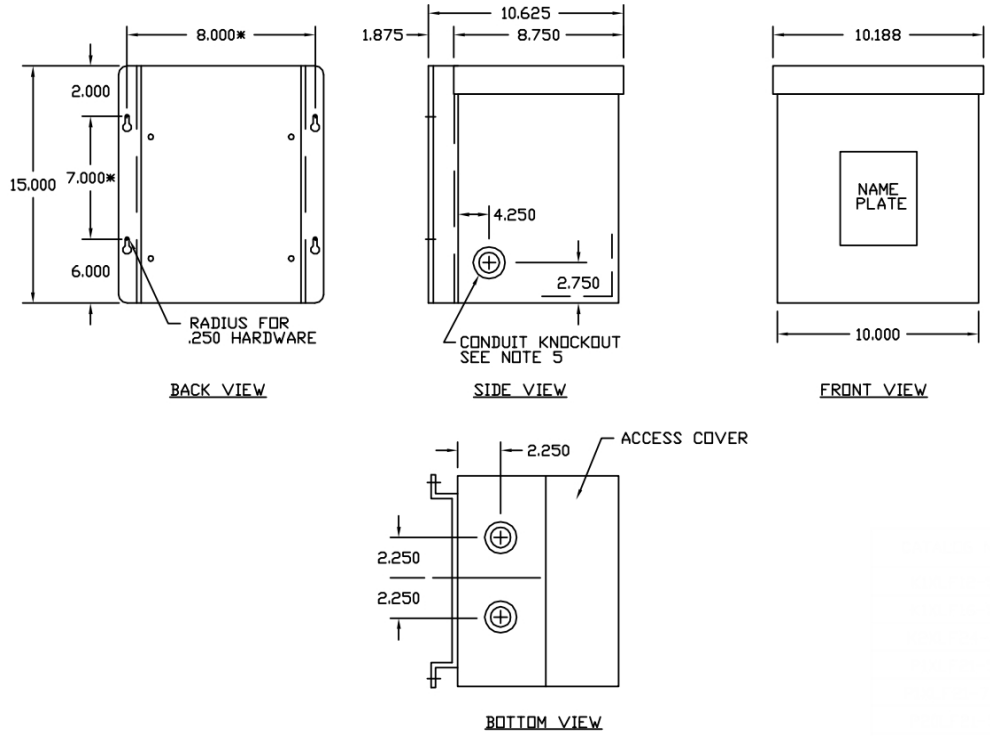
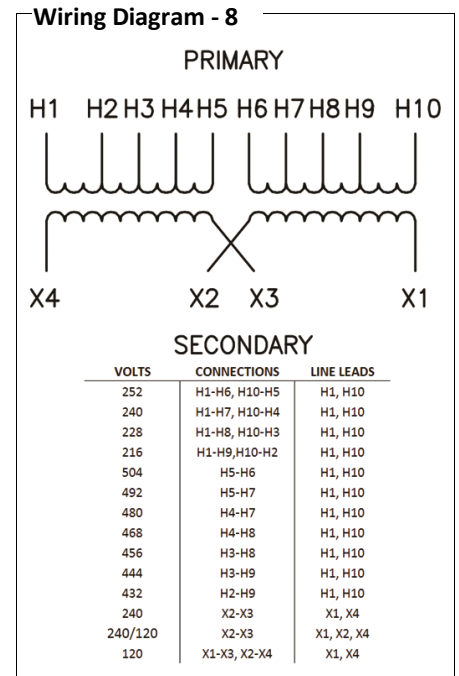
Transformers are dry-type AA, non-ventilated NEMA 3R enclosure.

Transformers are wall mounted. Wall mounting bracket is built into the enclosure.

Paint color is ANSI 61.

**AMP Ratings**

Line In (Load) @ 240V	20.8A
Line In (Load) @ 480V	10.4A
Load (Secondary) @ 120V	41.7A
Load (Secondary) @ 240V	20.8A



Outline No: 05A1465